



iS Tasira
Instruments & Services

SV8 SERIES INDICATOR



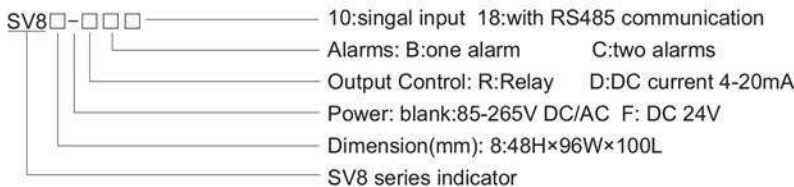
48H×96W×100L

FEATURES

- ⊙ Input signal type: mA、mV、V、Rt, Full scale/Zero be adjustable
- ⊙ Two relays output for two alarms, Relay Capacity: AC 250V/3A or DC 30V/3A
- ⊙ With transformed 4-20mA control output
- ⊙ With 24V/12VDC 30mA , or ±12V/60mA auxiliary power supply
- ⊙ RS485 communication
- ⊙ Accuracy ±0.3%FS.

Application: suitable for two wires transmitter, pressure sensors, four wires weight sensors or some other sensors testing equipment.

■ PANEL ILLUSTRATION



■ ORDERING CODE

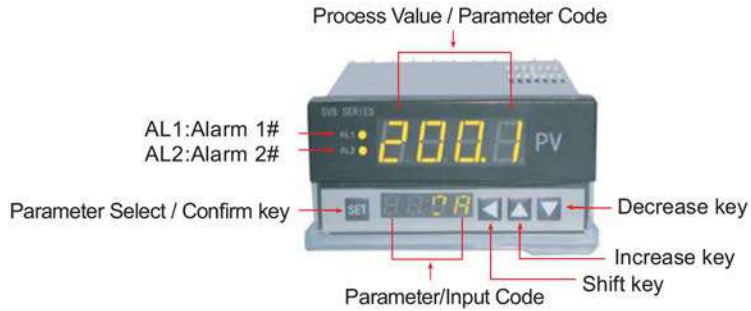
Code	Alarm	Transform	Communication	Input Signal
SV8-RB10	One Alarm	-	-	Factory Setting (User adjust) 0~50mV, 0~400Ω 0~10V, 4~20mA
SV8-RC10	Two Alarm	-	-	
SV8-DB10	One Alarm	4-20mA	-	
SV8-DC10	Two Alarm	4-20mA	-	
SV8-DB18	One Alarm	4-20mA	RS485	
SV8-DC18	Two Alarm	4-20mA	RS485	

*AC/DC 24V Be Optional

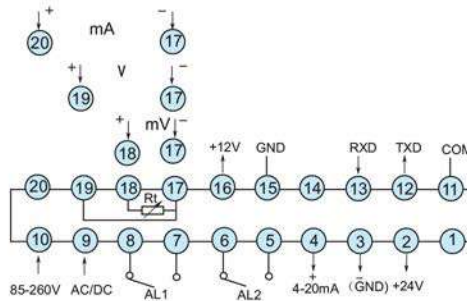
■ TECHNICAL SPECIFICATION

Input Signal	0~50mV, 0~400Ω, 0~10V, 4~20mA factory setting 4-20mA
Auxiliary Power Supply	DC 24V/12V 30mA or DC±12V/60mA for sensors
Alarm	two alarms
Transform	4-20mA DC
Accuracy	±0.3%F.S±2Digit
Communication	RS485 interface
Dimension	48H×96W×100L(mm)

PANEL ILLUSTRATION

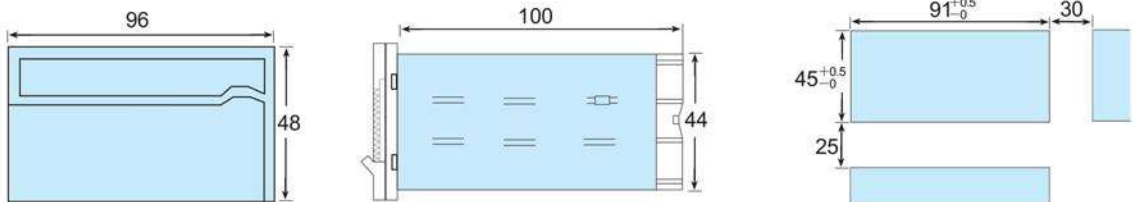


CONNECTION DIAGRAMS



NOTE: Please refer to the diagram sticking on the enclosure if any change.

DIMENSION





CONTACT DETAIL



tasira@rediffmail.com



2522 8205, 2523 1145



#293, (Old 142)
Linghi Chetty Street,
Chennai-600 001



www.tasirainstrumentations.com