





Working Principle & Operation

LA switch is Compact & rugged construction consisting of a free moving float and a switch assembly in non - magnetic material to catch maximum magnetic flux.

It includes dual magnets, one carried by the float arm and other by the other assembled in the switch enclosure.

A change in liquid level brings the like poles of dual magnets opposite to each other and resulting repulsion force which gives a changeover contacts with snap action.

Special Features

- Rugged construction
- Easy installation
- Easy replacement of electrical assembly

Applications

- Chemical processing equipment
- Alarms for hydro-pneumatic tanks
- Ship building industry
- Water treatment plant
- Food
- Pharmaceuticals



GOST

Specifications

Standard Version :

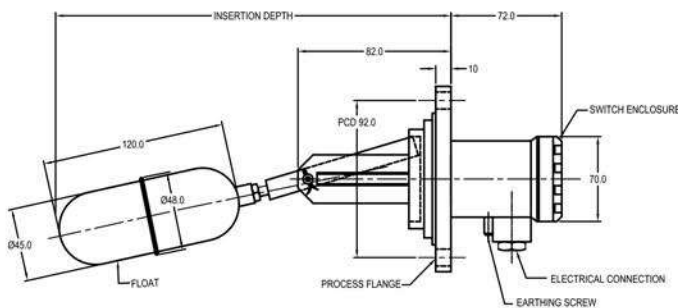
Housing material	: Die Cast Aluminum
Ingress protection	: IP 65
Process connection	: 92 mm PCD Square Flange
Material of wetted parts	: AISI 316 SS
Float diameter	: 45 mm (48 mm at welded seam)
Insertion depth	: 215 mm (Standard)

Cable entry	: ½" BSP (F) with ½" BSP (M) Conduit
Switch differential	: 15 ± 5 mm
Switch type	: Micro Switch
Switch rating	: 5 A / 250 VAC

Minimum specific gravity	: 0.75
Maximum operating temperature	: -10°C to + 180°C
Maximum operating pressure	: 18 kg/cm ²

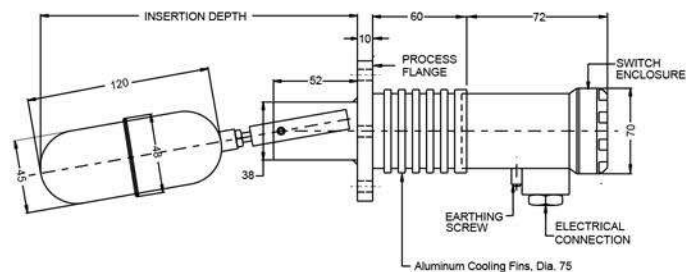
Dimensions - Standard Version

Type - A: General Purpose

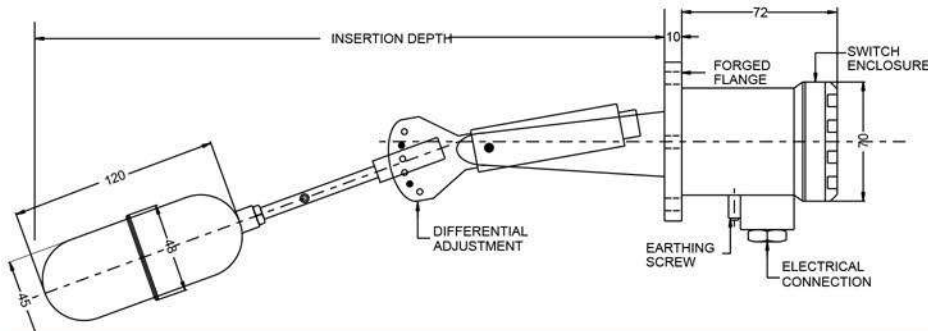


LA MODEL WITH FORGED FLANGE

Type - T : High Temperature (up To 350°C)



Type - Z : Adjustable Differential



How To Order

Example

Basic Model

LA

TYPE

- A General Purpose (standard)
- T High Temperature (up To 350°C) (with Aluminum Cooling Fin)
- Z Adjustable Differential (with Process Connection Option D03)

X

Insertion Depth

Min. 215 mm for Type A
 Min. 215 mm for Type T
 Min. 350 mm for Type Z
 Please specify Insertion length in mm.
 (Example : Write **215 A** For length **215 mm** & Type **A**)

215A

Housing Material

- D Die Cast Aluminum Weatherproof to IP 65 (standard)
- E Die Cast Aluminum Suitable for Gas (Group II A / II B)
- Y AISI 316 SS (Group II A / II B)

X

Cable Gland

- A SS316 - ½" BSP (M) Conduit Plug (standard)
- B Brass (NI Plated) - ½" NPT DC
- C Brass (NI Plated) - ½" BSP SC
- D SS304 - Ex Proof

X

Switch Output

- 1 1 SPDT (Standard)
- 2 2 SPDT / 1 DPDT

X

Process Connection (*Float Diameter will be 25 mm, Seam diameter 28 mm)

Flanged (As per ANSI B 16.5)

D01 92 Mm PCD Square Flange (standard)	6NM 1" NPT (M)*	B39 2" 150# RF	B40 2" 300# RF
D02 92 Mm PCD Round Flange	7NM 1 ½" NPT (M)*	B45 2 ½" 150# RF	B46 2 ½" 300# RF
D03 92 Mm PCD Forged Square Flange	8NM 2" NPT (M)	B51 3" 150# RF	B52 3" 300# RF
		C33 4" 150# RF	C34 4" 300# RF

XXX

Options

For Non Standard Products/optional Items, Please Contact Factory for Delivery and Minimum Quantity of Order.

- PC** PTFE Coating (up To 150 °c)
(for Flange Connection Type Only)
- GB** Housing - Suitable For Gas Group II A / II B
- GC** Housing - Suitable For Gas Group II C
- MF** Matching Flange
- GH** Material Test Certificates**
- SX** SS Tag Plate
- PF** Polypropylene Float

XX

** material test certificates will be provided for wetted parts only with chemical composition testing.
 For others, please consult factory.

Ordering Example: LA . X . 215A . X . X . XXX . XX

Ordering Information : Specify model no., Liquid, Specific Gravity, Operating Pressure & Operating Temperature.

Note : Specifications and dimensions given in this product catalogue represents the state of engineering at the time of printing.
 Modifications may take place and materials specified may be replaced by others without prior notice.



CONTACT DETAIL



tasira@rediffmail.com



2522 8205, 2523 1145



#293, (Old 142)
Linghi Chetty Street,
Chennai-600 001



www.tasirainstrumentations.com