





GOST

Special Features

- Stainless steel case & measuring system
- Laser welded diaphragm
- Dry or liquid filled
- Diaphragm seal integrally built with gauge.
- Reduces the effect of vibration / pulsation
- Polished diaphragm provides best hygiene factor
- Standard followed en 837-3

Application

- Especially designed for sanitary application
- Pharmaceutical
- Paint industry
- Bacterial & fungal accumulates which contaminate the process are eliminated
- The mirror finishing of the components assures the best hygiene.

Specifications

Standard Version : 50 mm & 63 mm

Accuracy	: ±1.6% of F. S.
Ambient temperature	: 10 to 60°C
Process temperature	: 10 to 150°C
Operating pressure range	: 75% of Scale Value
Over pressure limit	: 130% of Scale Value

Case & Bezel	: AISI 304 SS (Polished) (Bayonet Type)
Socket	: AISI 316 SS
Bourdon	: AISI 316L SS
Movement	: AISI 304 SS
Body	: AISI 316 SS
Joints	: Tig Argon Arc Welding
Diaphragm	: AISI 316L SS (Polished)
Sanitary Seal	: 11/2" size in AISI 316 SS (Without clamp, Gasket & Mating part)

Protection	: IP 65
Dial	: Aluminum, black graduation on white background
Pointer	: Aluminum, black coloured, fixed
Window	: Plexi Glass
Gasket	: Silicon rubber
Filling Plug	: Neoprene
Sealing Fluid	: Glycerin

Dry but fillable version (option FG)

Fillable Dampening Liquid	: Glycerine 99.7%
Ambient Temperature	: Maximum 65°C
Process Temperature	: Maximum 65°C
Other Features	: Refer Specification of Standard Version

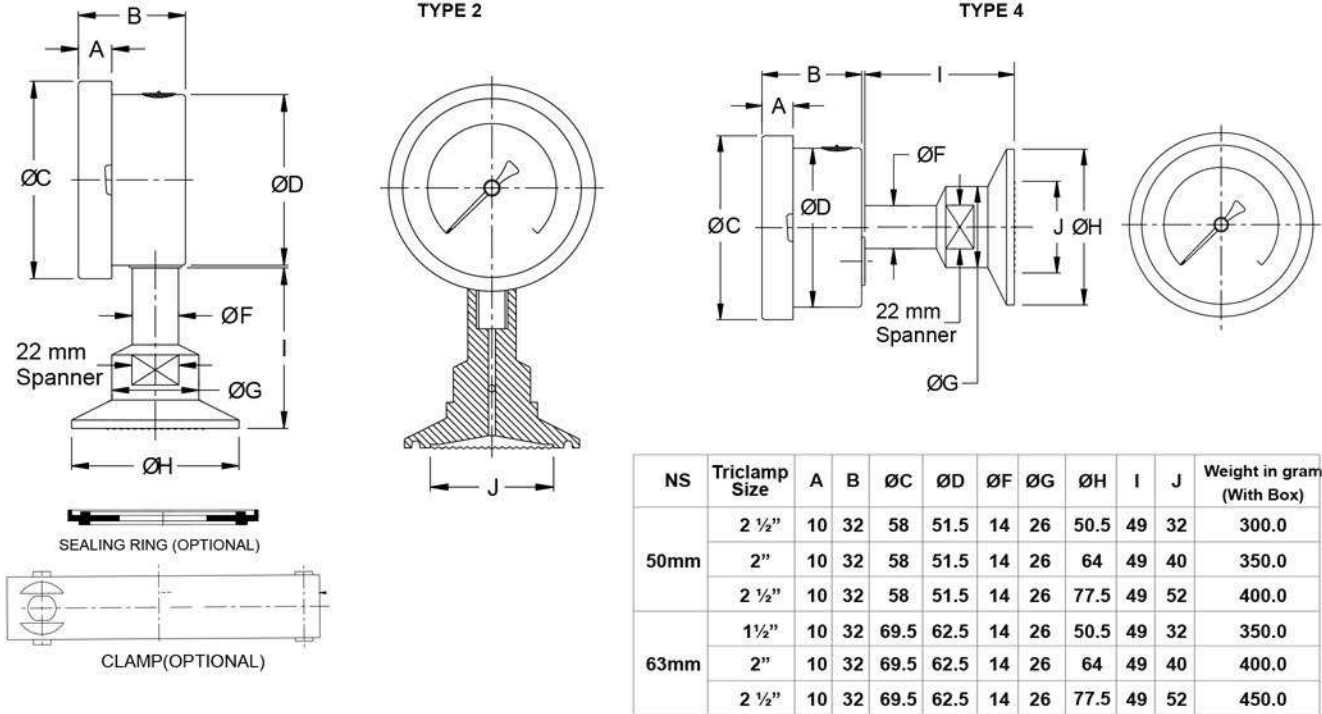
Glycerine filled version (option PY)

Accuracy	: ±1.6% of F. S.
Process Temperature	: Maximum 65°C
Ambient Temperature	: Maximum 65°C
Window	: Plexi Glass
Dampening Liquids	: Glycerine 99.7%
Other Features	: Refer Specification of Standard Version

Temperature effect :

The variation of indication caused by effects of temperature is to be calculated by below formula; which is to be added in the specified accuracy while measurement :- Formula : $\pm 0.08 \times (t_2 - t_1) \% \text{ of F. S.}$ where t_1 = reference temperature (+20°C) and t_2 = ambient temperature in °C.

Dimensions - standard version



Notes : • Drawings are not to scale. • All Dimensions are in mm. • NS = Nominal Size.

Range Table

Note : We offer National / International Scales like kPa, MPa, bar, psi, kg/cm² & Dual Scale like kPa with psi, kPa with bar, bar with psi or Equivalent scales as per the requirement can be provided on request. Following are the example tables for kg/cm² with psi scales.

Pressure range

Range (psi with kg/cm ²)			
psi	kg/cm ²	psi	kg/cm ²
0/30	0/2	0/300	0/20
0/60	0/4	0/400	0/28
0/100	0/7	0/500	0/35
0/150	0/10	0/600	0/40
0/220	0/16		

Compound range

Range (mmHg with kg/cm ² & inHg with psi)			
mmHg with kg/cm ²	inHg with psi	mmHg with kg/cm ²	inHg with psi
-760/2	-30/ 30	-760/10	-30/ 150
-760/4	-30/60	-760/14	-30/200
-760/7	-30/100	-760/20	-30/300

How To Order				Example
Basic Model				AY
Code				
Nominal Size		C	D	X
		50 mm	63 mm	
Type of Mounting				X
2 Direct bottom entry	4 Direct center back entry			
Sanitary seal (for 1" size sanitary seal, consult factory for drawing, price and delivery.)				XX
YN 1 ½" Sanitary seal in AISI 316 SS (Standard)	YP 2 ½" Sanitary seal in AISI 316 SS			
YO 2" Sanitary seal in AISI 316 SS				
Body				XX
CL AISI 316 SS (Standard)	CM AISI 316L SS			
Diaphragm				XX
UJ AISI 316L (Standard)				
Filling fluids				XX
UF Glycerin [10 to 150 °C / 50 to 302 °F] (Standard)	UV Food grade oil [-20 to 140 °C / -4 to 284 °F]			
UG Liquid paraffin [10 to 200 °C / 50 to 392 °F]				
Clamp				XX
ZO 1 ½" Clamp in AISI 304	ZQ 2 ½" Clamp in AISI 304 SS			
ZP 2" Clamp in AISI 304				
Gasket (sealing ring)				XX
FX 1 ½" Silicon gasket	FZ 2 ½" Silicon gasket			
FY 2" Silicon gasket				
Bottom mating part				XX
KB 1 ½" Sanitary seal in AISI 316	KD 2 ½" sanitary seal in AISI 316			
KC 2" Sanitary seal in AISI 316				
End connection of bottom mating part (* Bore size will be 8 mm)				XX
3BM 3/8" BSP (M)*	4NM ½" NPT (M)*	5MM M33 x 1.5 (M)		
4BM ½" BSP (M)*	4ZB ½" PIPE (M) (Plain End)	5BM 3/4" BSP (M)		
Range				0/10 kg/cm ²
Refer range table				
Optional extras				XX
RH Custom designed dial	RX Shatterproof / safety glass			
SG Oxygen service (for dry version)	RZ Toughened glass			
PS AISI 316 SS case & bezel	SX SS tag plate			
PW Five point calibration certificate	FG Fillable liquid glycerine			
PY Dampening liquid glycerine filled	TB Helium leak test			
GH Material test certificates*	ZM Electro polished case & bezel			
SQ Case with rolling type bezel#				

For mounting type 4 only

* Material test certificates will be provided for wetted parts only with chemical composition testing. For others, please consult factory.

Ordering Example: AY . X . X . XX . XX . XX . XX . XX . XX . XX . 0/10kg/cm² . XX

For other optional items, please contact factory for delivery and minimum quantity of order.

Note : Specifications and dimensions given in this product catalogue represents the state of engineering at the time of printing.

Modifications may take place and materials specified may be replaced by others without prior notice.



CONTACT DETAIL



tasira@rediffmail.com



2522 8205, 2523 1145



#293, (Old 142)
Linghi Chetty Street,
Chennai-600 001



www.tasirainstrumentations.com