



**iS Tasira**  
Instruments & Services



GOST

### Special Features

- Stainless steel case & measuring system
- Rugged construction
- Dry or liquid filled
- Standard followed in general EN 837-1

### Application

- Food & beverage
- Engine compressors
- Diesel engines
- Equipments
- Nuclear power plants
- Pharmaceutical
- Turbines
- Hydraulic
- Petrochemical industries
- Hydro-cleaning machines
- Refrigerating plants & gaseous / liquid media that will not obstruct the pressure system
- Pumps
- Chemical
- Conventional
- Presses

### Specifications

#### Standard Version : 50 mm, 63 mm & 80 mm

Accuracy	:	± 1.6% of F. S.(For NS 63 mm & NS 80 mm) & ±2.5% of F. S.(For NS 50 mm)
Ambient temperature	:	- 25°C to + 65°C
Process temperature	:	Max 180°C
Operating pressure	:	75 % of Scale Value
Over pressure limit	:	≤ 100 bar : 125% of Max. Scale Value
	:	> 100 to ≤ 600 bar : 115% of Max. Scale Value
	:	> 600 to ≤ 1600 bar : 110% of Max. Scale Value

Case & Bezel	:	AISI 304 SS (Bayonet type)
Socket	:	AISI 316 SS
Bourdon	:	AISI 316L SS
Movement	:	AISI 304 SS
Joints	:	Tig Argon Arc Welding

Protection	:	IP 65
Dial	:	Aluminium, black graduation on white background
Pointer	:	Black Coloured, Fixed
Window	:	Plexi Glass
Filling Plug	:	Neoprene
Gasket	:	Neoprene / Silicon rubber

#### Dry but fillable version (option FG)

Fillable Dampening Liquid	:	Glycerine 99.7%
Ambient Temperature	:	(-) to 65°C
Process Temperature	:	Maximum 65°C
Other Features	:	Refer Specification of Standard Version

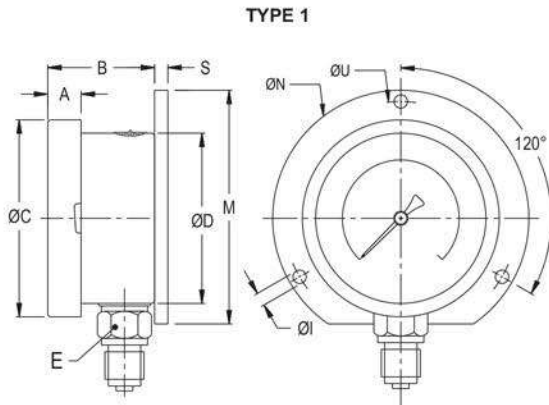
#### Glycerine filled version (option PY)

Accuracy	:	±1.6% of F. S.(For NS 63 mm & NS 80 mm) & ±2.5% of F. S.(For 50 mm)
Ambient Temperature	:	Maximum
Process Temperature	:	Maximum 65°C
Window	:	Plexi Glass
Dampening Liquids	:	Glycerine 99.7%
Other Features	:	Refer Specification of Standard Version

#### Temperature effect:

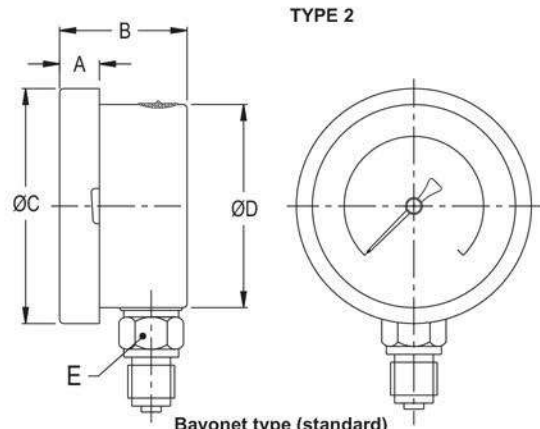
The variation of indication caused by effects of temperature is to be calculated by below formula; which is to be added in the specified accuracy while measurement :- Formula :  $\pm 0.04 \times (t_2 - t_1) \% \text{ of F. S.}$  where  $t_1$  = reference temperature (+20°C) and  $t_2$  = ambient temperature in °C.

**Dimensions - standard version**



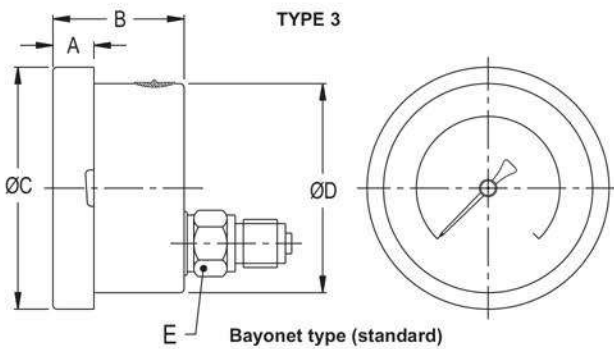
TYPE 1  
Bayonet type (standard)

NS	A	B	ØC	ØD	E	S	ØN	ØI	ØU	M	Weight in gram (With Box)	Weight in gram (With Glycerin & Box)
63	10	32	69.5	62.5	A/F 14	7	86	3.6	75	80	215.0	265.0
80	11	35	89.5	80	A/F 14	4	110	5	94	95	300.0	380.0



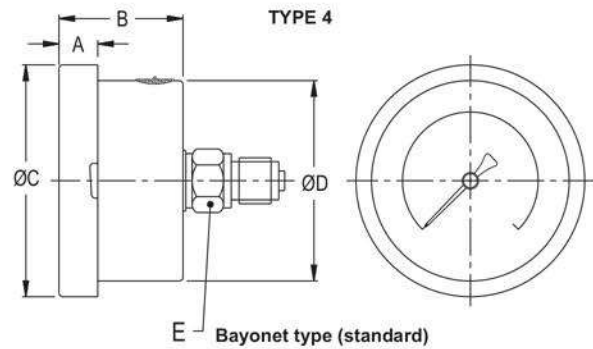
TYPE 2  
Bayonet type (standard)

NS	A	B	ØC	ØD	E	Weight in gram (With Box)	Weight in gram (With Glycerin & Box)
50	10	32.5	58.5	51	A/F 14	153.0	210.0
63	10	32	69.5	62.5	A/F 14	180.0	240.0
80	11	35	89.5	80	A/F 14	250.0	330.0



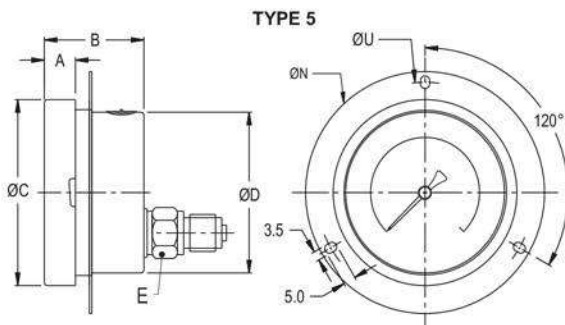
TYPE 3  
Bayonet type (standard)

NS	A	B	ØC	ØD	E	Weight in gram (With Box)	Weight in gram (With Glycerin & Box)
63	10	32	69.5	62.5	A/F 14	190.0	250.0



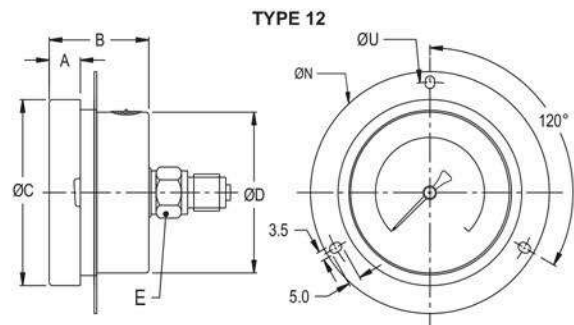
TYPE 4  
Bayonet type (standard)

NS	A	B	ØC	ØD	E	Weight in gram (With Box)	Weight in gram (With Glycerin & Box)
50	10	32.5	58.5	51	A/F 14	170.0	230.0
63	10	32	69.5	62.5	A/F 14	188.0	250.0
80	11	35	89.5	80	A/F 14	240.0	320.0



TYPE 5  
Bayonet type (standard)

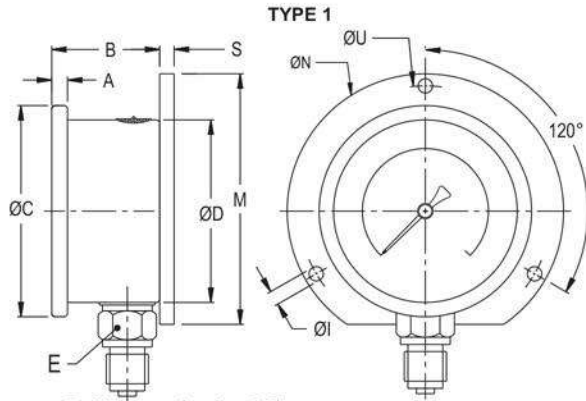
NS	A	B	ØC	ØD	E	ØN	ØU	Weight in gram (With Box)	Weight in gram (With Glycerin & Box)
63	10	32	69.5	62.5	A/F 14	86	75	213.0	275.0



TYPE 12  
Bayonet type (standard)

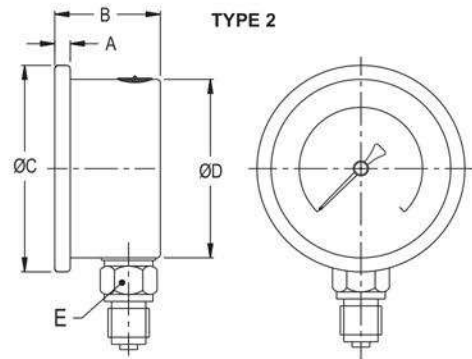
NS	A	B	ØC	ØD	E	ØN	ØU	Weight in gram (With Box)	Weight in gram (With Glycerin & Box)
63	10	32	69.5	62.5	A/F 14	86	75	213.0	275.0

**Dimensions - standard version**



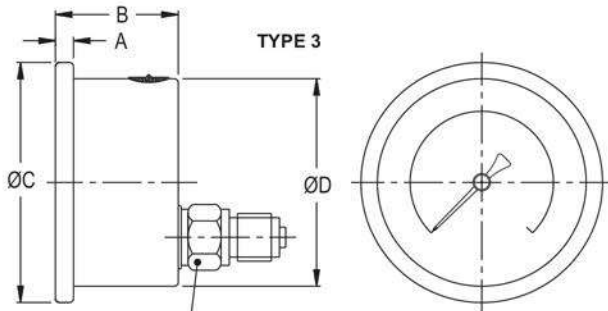
Rolling type (option SQ)

NS	A	B	ØC	ØD	E	S	ØN	ØI	ØU	M	Weight in gram (With Box)	Weight in gram (With Glycerin & Box)
63	6.5	30.5	69	62.5	A/F 14	7	86	3.6	75	80	190.0	250.0



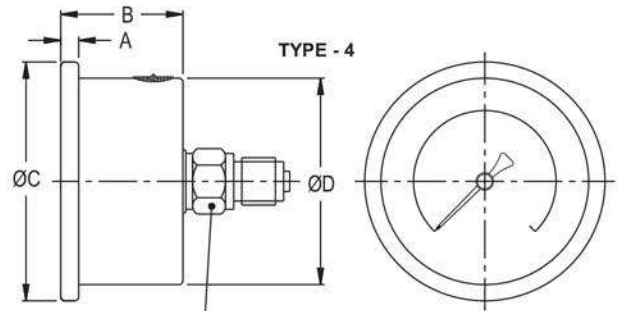
Rolling Type (option SQ)

NS	A	B	ØC	ØD	E	Weight in gram (With Box)	Weight in gram (With Glycerin & Box)
50	5	29	57.5	51.5	A/F 14	125.0	185.0
63	6.5	30.5	69	62.5	A/F 14	140.0	200.0



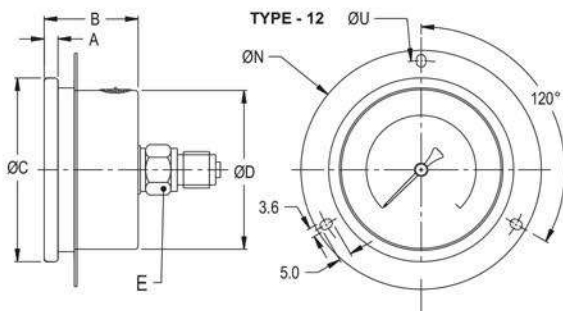
Rolling type (option SQ)

NS	A	B	ØC	ØD	E	Weight in gram (With Box)	Weight in gram (With Glycerin & Box)
63	6.5	30.5	69	62.5	A/F 14	160.0	220.0



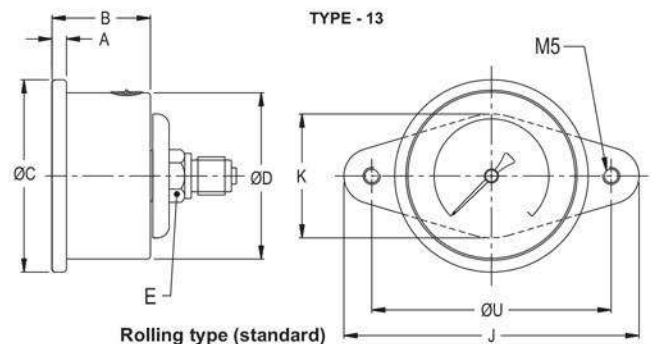
Rolling type (option SQ)

NS	A	B	ØC	ØD	E	Weight in gram (With Box)	Weight in gram (With Glycerin & Box)
50	4.5	29	57.5	51.5	A/F 14	117.0	167.0
63	6.5	30.5	69	62.5	A/F 14	170.0	230.0



Rolling type (option SQ)

NS	A	B	ØC	ØD	E	ØN	ØU	Weight in gram (With Box)	Weight in gram (With Glycerin & Box)
63	6.5	30.5	69	62.5	A/F 14	86	75	220.0	280.0



Rolling type (standard)

NS	A	B	ØC	ØD	E	J	K	ØU	Weight in gram (With Box)	Weight in gram (With Glycerin & Box)
50	5	29	57	51.5	A/F 14	91	38	70.5	180.0	240.0
63	6.5	30.5	69	62.5	A/F 14	91	38	70.5	210.0	270.0

Notes : • Drawings are not to scale. • All Dimensions are in mm . • NS = Nominal size  
• Weights mentioned are approximate and for standard product. Weight can be different after selection of options.

### Range Table

Note : We offer Pressure ranges, Vacuum ranges and Compound ranges in Scales like kPa, MPa, bar, psi, kg/cm<sup>2</sup> & Dual Scale like kPa with psi, kPa with bar, bar with psi or scales as per the requirement can be provided on request. Following are the example tables for kg/cm<sup>2</sup> & psi scales.

#### Range with nominal sizes

Nominal size

Range (psi with kg/cm <sup>2</sup> )		50 mm	63 mm	80 mm
psi	kg/cm <sup>2</sup>			
-30 inHg / 0	-760 mmHg / 0	✓	✓	✓
0/15 psi	0/1 kg/cm <sup>2</sup>	✓	✓	✓
0/30 psi	0/2 kg/cm <sup>2</sup>	✓	✓	✓
0/60 psi	0/4 kg/cm <sup>2</sup>	✓	✓	✓
0/100 psi	0/7 kg/cm <sup>2</sup>	✓	✓	✓
0/150 psi	0/10 kg/cm <sup>2</sup>	✓	✓	✓
0/220 psi	0/16 kg/cm <sup>2</sup>	✓	✓	✓
0/300 psi	0/20 kg/cm <sup>2</sup>	✓	✓	✓
0/400 psi	0/28 kg/cm <sup>2</sup>	✓	✓	✓
0/500 psi	0/35 kg/cm <sup>2</sup>	✓	✓	✓
0/600 psi	0/42 kg/cm <sup>2</sup>	✓	✓	✓
0/1000 psi	0/70 kg/cm <sup>2</sup>	✓	✓	✓
0/1500 psi	0/100 kg/cm <sup>2</sup>	✓	✓	✓
0/2200 psi	0/160 kg/cm <sup>2</sup>	✓	✓	✓
0/3000 psi	0/200 kg/cm <sup>2</sup>	✓	✓	✓
0/4000 psi	0/280 kg/cm <sup>2</sup>	✓	✓	✓
0/5000 psi	0/350 kg/cm <sup>2</sup>	✓	✓	✓
0/6000 psi	0/400 kg/cm <sup>2</sup>	✓	✓	✓
0/10000 psi	0/700 kg/cm <sup>2</sup>	×	✓	✓
0/15000 psi	0/1000 kg/cm <sup>2</sup>	×	✓	✓
- 30inHg /30	- 1/2 kg/cm <sup>2</sup>	×	✓	✓
- 30inHg /60	- 1/4 kg/cm <sup>2</sup>	×	✓	✓
- 30inHg /100	- 1/7 kg/cm <sup>2</sup>	×	✓	✓
- 30inHg /150	- 1/10 kg/cm <sup>2</sup>	×	✓	✓
- 30inHg /200	- 1/14 kg/cm <sup>2</sup>	×	✓	✓
- 30inHg /300	- 1/21 kg/cm <sup>2</sup>	×	✓	✓

#### Ammonia with temperature scale

- 30" Hg / 150 psi		×	✓	✓
- 30" Hg / 300 psi		×	✓	✓
0/300 psi		×	✓	✓
-1/12.5 kg/cm <sup>2</sup>		×	✓	✓
-1/16 kg/cm <sup>2</sup>		×	✓	✓
-1/25 kg/cm <sup>2</sup>		×	✓	✓

#### Accessories (refer datasheet for complete specifications)

<b>EC</b>	Gauge cock	<b>EG</b>	Snubber
<b>ED</b>	Overload protector (gauge saver)**	<b>EH</b>	Siphon
*	Needle valve	<b>EB</b>	Cooling tower

\* Refer catalogue for Valves & Manifolds

\*\* For Pressure Ranges.

How To Order	Example
--------------	---------

**Basic Model**

<b>Code</b>	AD
-------------	----

<b>Nominal Size</b>	<b>C</b>	<b>D</b>	<b>E</b>		
	50 mm	63 mm	80 mm		X

Type of Mounting					
1	Wall/ surface/ projection mounting With bottom entry	X	✓	✓	
2	Direct bottom entry	✓	✓	✓	X
3	Direct lower back entry	X	✓	X	OR
4	Direct center back entry	✓	✓	✓	XX
5	Lower back entry with front flange	X	✓	X	
12	Center back entry with front flange	X	✓	X	
13	Center back entry with mounting bracket*	✓	✓	X	

Note : \*Applicable for Rolling type design only.

Gauge Connection					
<b>1BM</b>	1/8" BSP(M)	✓	✓	X	
<b>1NM</b>	1/8" NPT(M)	✓	✓	X	XXX
<b>1TM</b>	1/8" BSPT(M)	✓	✓	X	
<b>2BM</b>	1/4" BSP(M)	✓	✓	X	
<b>2NM</b>	1/4" NPT(M)	✓	✓	X	
<b>2TM</b>	1/4" BSPT(M)	✓	✓	X	
<b>3BM</b>	3/8" BSP(M)	X*	X*	✓	
<b>3NM</b>	3/8" NPT(M)	X*	X*	✓	
<b>3TM</b>	3/8" BSPT(M)	X*	X*	✓	
<b>4BM</b>	1/2" BSP(M)	X*	X*	X*	
<b>4NM</b>	1/2" NPT(M)	X*	X*	X*	
<b>4TM</b>	1/2" BSPT(M)	X	X	X*	

\* These connections will be provided on request. Consult factory for minimum order quantity, price & delivery.

Note : Connections like Metric/ PT/ PF/ Flaired/ UNF/ G/ R etc. can be provided on request.

<b>Range</b>	0/10 kg/cm <sup>2</sup>
Refer range table	

Optional Extras					
<b>RH</b>	Custom designed dial		<b>SX</b>	SS tag plate	
<b>SG</b>	Oxygen service (for dry version)		<b>TB</b>	Helium leak test	
<b>PS</b>	AISI 316 SS case & bezel*#		<b>QB</b>	Integral dampening screw (AISI 316 SS)	
<b>SQ</b>	Case with rolling type bezel**		<b>SJ</b>	Maximum reading pointer with plexi glass (for dry version)*	
<b>PW</b>	Five point calibration certificate		<b>RX</b>	Shatterproof / safety glass (for bayonet type design)*#	XX
<b>FG</b>	Fillable liquid glycerine ##		<b>RZ</b>	Toughened glass (for bayonet type design)*#	
<b>FS</b>	Fillable liquid silicon oil***		<b>RR</b>	Enclosure protection IP 66 ##	
<b>PY</b>	Dampening liquid glycerine filled ##		<b>RE</b>	Enclosure protection IP 67 ##	
<b>QA</b>	Dampening liquid silicon oil filled***		<b>PU</b>	Calibration certificate traceable to National/ International standards	
<b>RI</b>	25 mm BOD (except mounting 4, 12 & 13)*		<b>SF</b>	Movement with dampening jelly*#	
<b>GH</b>	Material test certificates****		<b>ZD</b>	Ammonia range (with temperature scale)*#	
<b>SZ</b>	Welded socket to the case*#				

\* Applicable for NS 63 mm.

\*\*\* Gasket & Filling Plug of Viton.

## Applicable for NS 50 mm, 63 mm & 80 mm.

\*\* Applicable for NS 50 mm & 63 mm.

# Applicable for NS 80 mm.

\*\*\*\*Material test certificates will be provided for wetted parts only with chemical composition testing.

For others, please consult factory.

**Ordering Example: AD . X . X OR XX . XXX . 0/10 kg/cm<sup>2</sup> . XX**

For other optional items, please contact factory for delivery and minimum quantity of order.

Note : Specifications and dimensions given in this product catalogue represents the state of engineering at the time of printing.

Modifications may take place and materials specified may be replaced by others without prior notice.



## CONTACT DETAIL



[tasira@rediffmail.com](mailto:tasira@rediffmail.com)



2522 8205, 2523 1145



#293, (Old 142)  
Linghi Chetty Street,  
Chennai-600 001



[www.tasirainstrumentations.com](http://www.tasirainstrumentations.com)